

Design data

Boiler model - TT200  
 Boiler type - STEAM / WET BACK  
 Design EN 12953

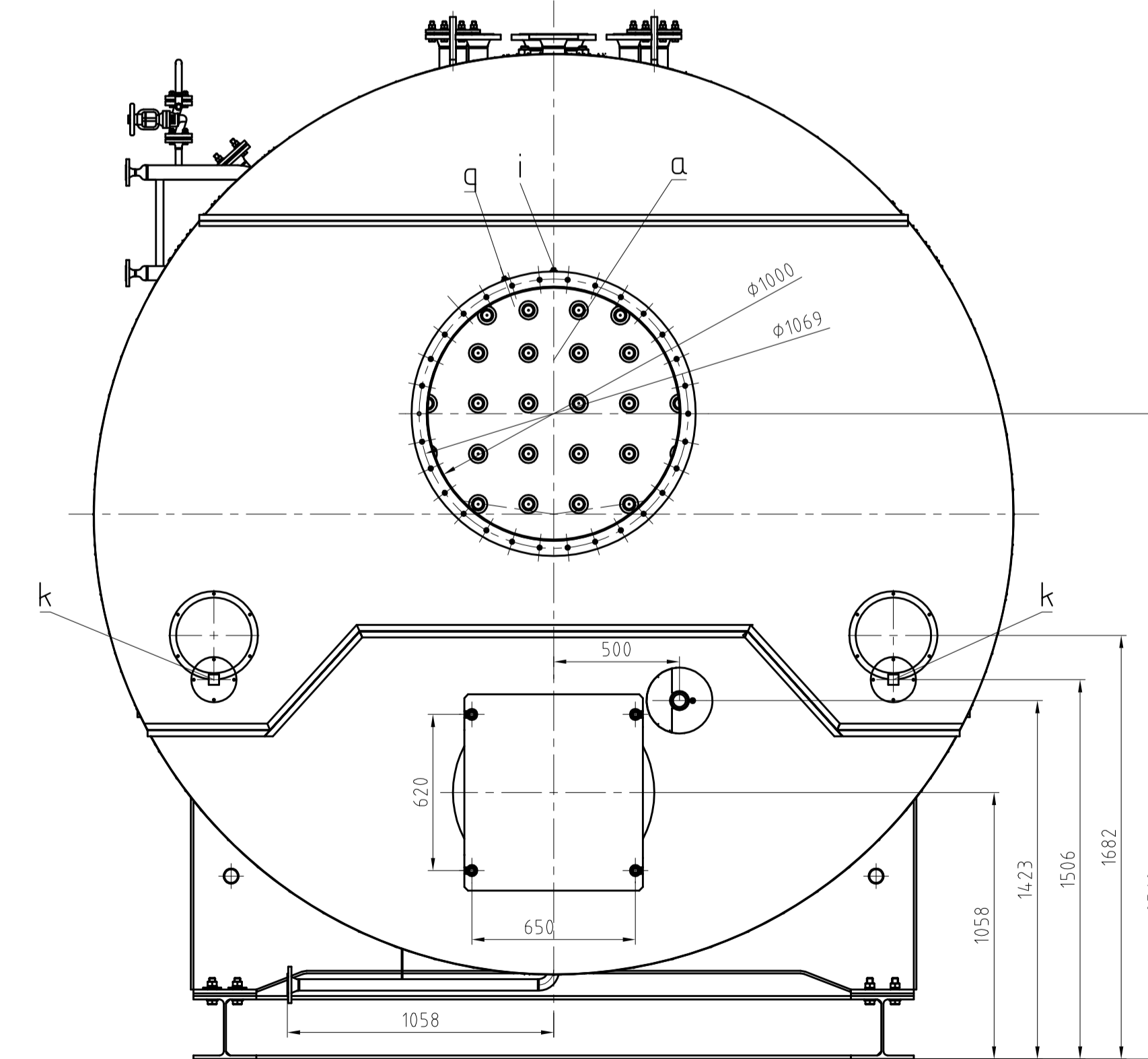
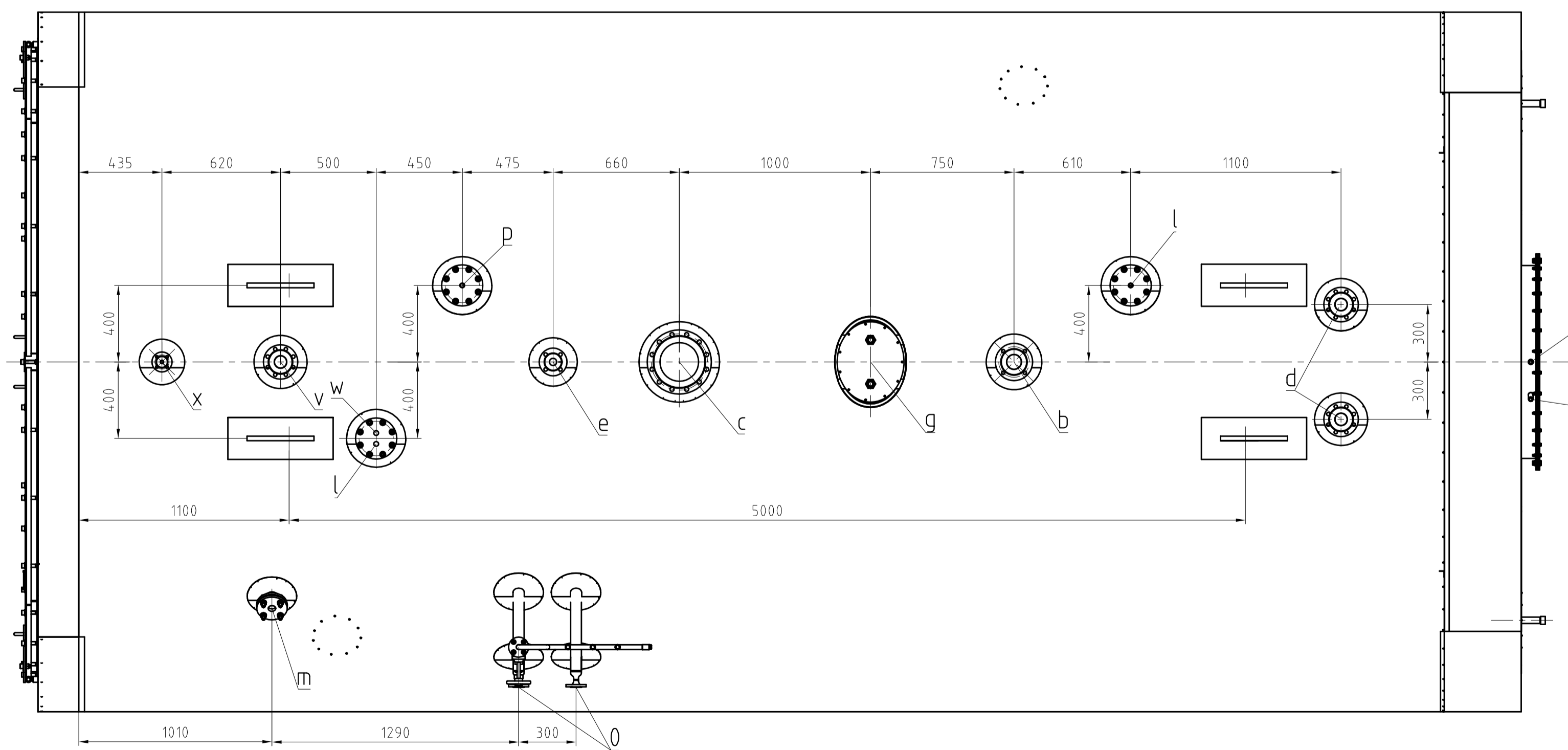
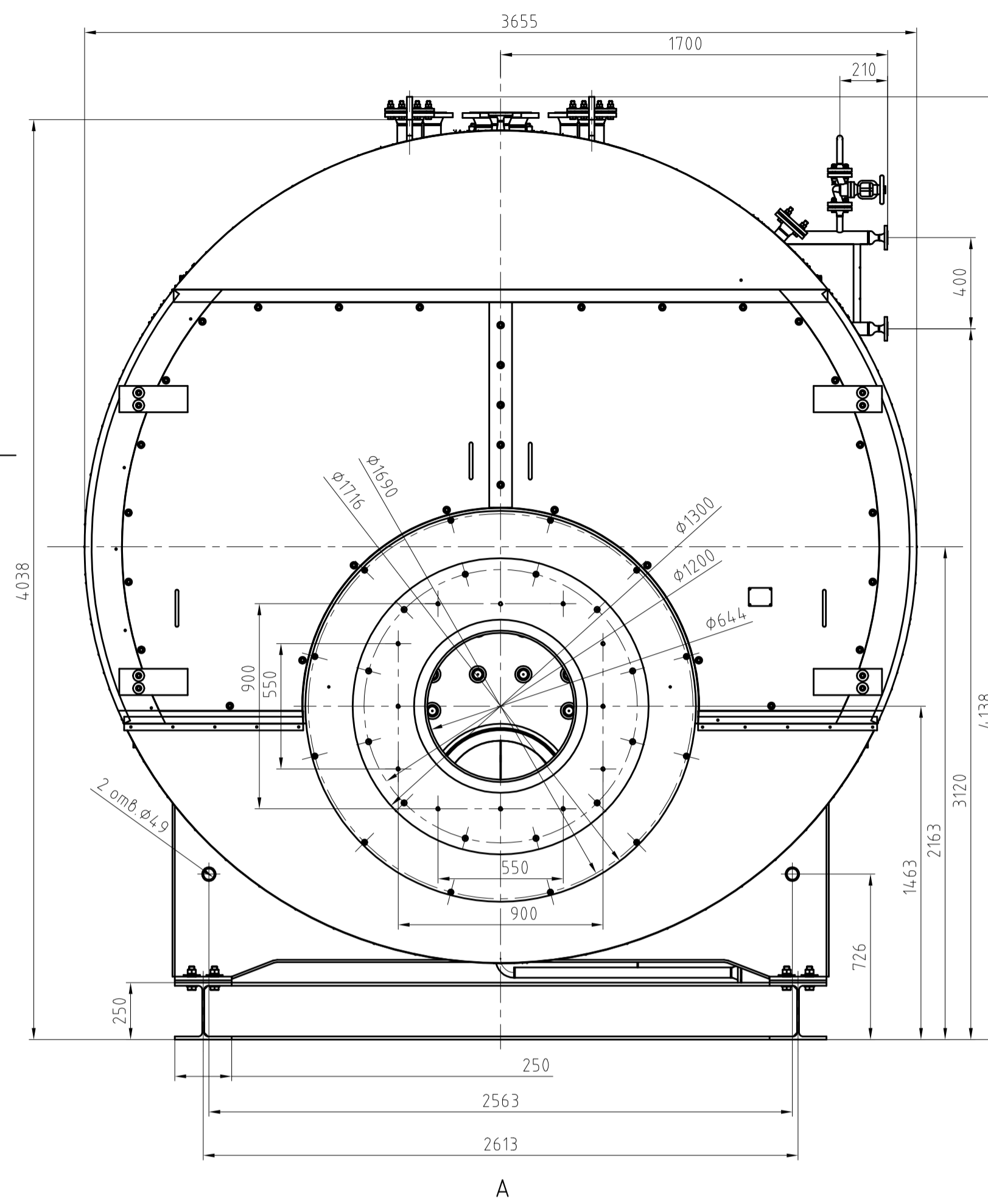
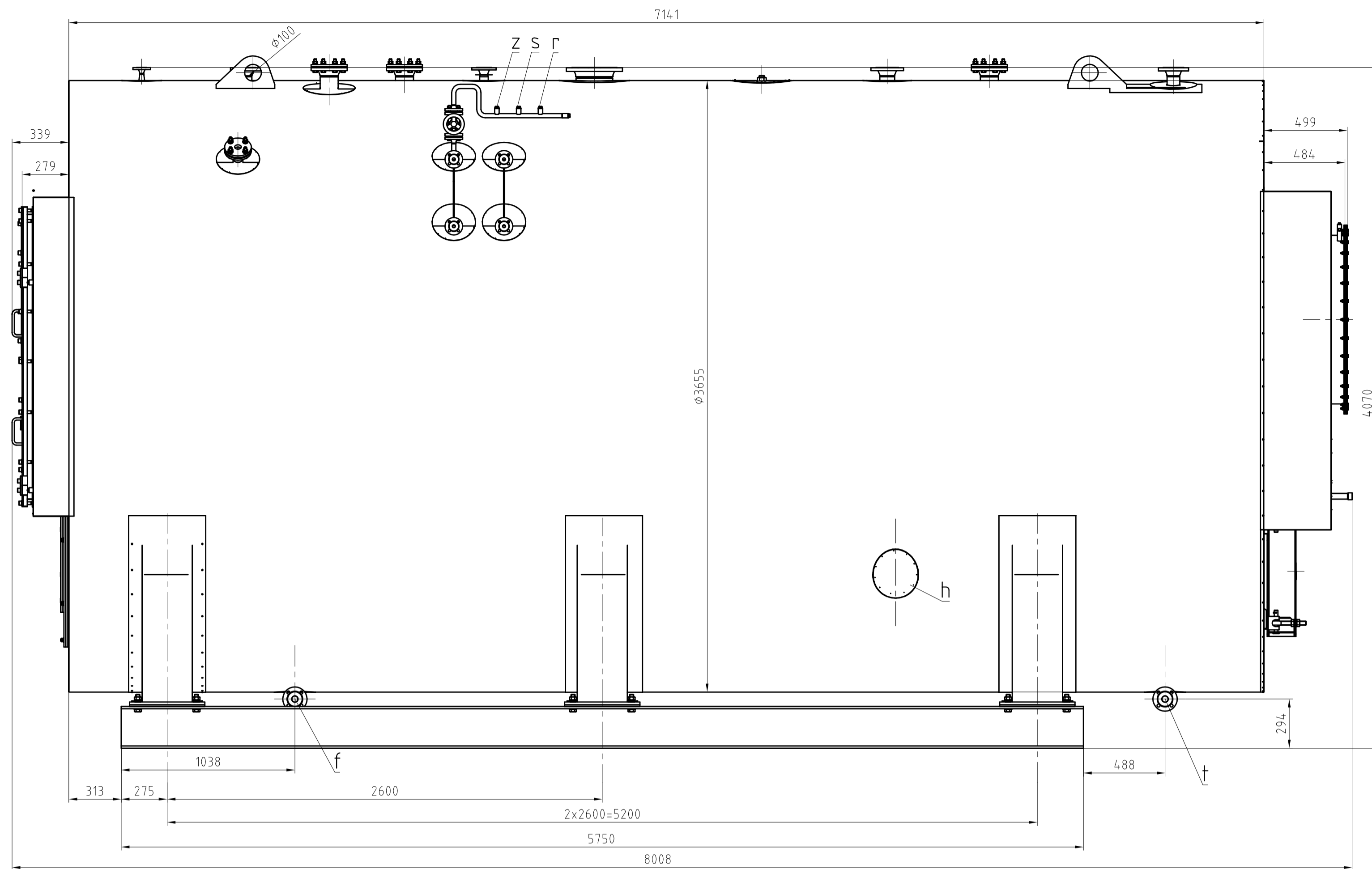
Description	Unit	Value
Steam capacity (nominal load):	tn / h	25,0
Steam outlet temperature	°C	+191
Feed water temperature	°C	+104
Design pressure	bar	12,4
Max. working pressure	bar	12,0
Hydro test pressure	bar	20,0
Trip pressure safety valve	bar	12,0
Boiler weight	kg	41873
Volume of water	m³	29,3

Connection table

Designation	Application	Amount	Diameter (DN), mm	Pressure (PN), bar	Flanges
a	Flue gas exhaust	1	1000	0,1	ISO 7005-12011
b	Feed water inlet	1	80	16	ISO 7005-12011
c	Steam outlet	1	200	16	ISO 7005-12011
d	Safety valve	2	65	4,0	ISO 7005-12011
e	Desalting control valve	1	40	16	ISO 7005-12011
f	Water drain	1	40	16	ISO 7005-12011
g	Sight hole	1	335x435	-	-
h	Sight hole	2	230x330	-	-
i	Gas analyzer	1	G1/2-B	-	-
k	Condensate drain	2	G1-B	-	-
o	Water level indicator	4	20	16	ISO 7005-12011
l	Level limiter min	2	G3/4-B	-	-
w	Level limiter max	1	G3/4-B	-	-
p	Level transducer	1	G3/4-B	-	-
m	Conductivity transducer	1	G1-B	-	-
q	Flue gas temperature sensor	1	G1/2-B	-	-
r	Pressure gauge	1	G1/2-B	-	-
s	Pressure limiter	1	G1/2-B	-	-
z	Pressure transducer	1	G1/2-B	-	-
t	Quick shut-off blow down valve	1	40	16	ISO 7005-12011
v	Drain air valve	1	65	4,0	ISO 7005-12011
x	Air vent	1	20	16	ISO 7005-12011

NOTES:

All dimensions are in mm.  
 The design of the boiler complies with the General safety requirements PED 2014/68/EU Annex I and the standards of the series EN 12953.



This document is property of ENTROPIE, Munich, Germany. Multiplication or information of its contents to the third parties in any form whatsoever is not allowed without a written authorization by the owner.