

Design data

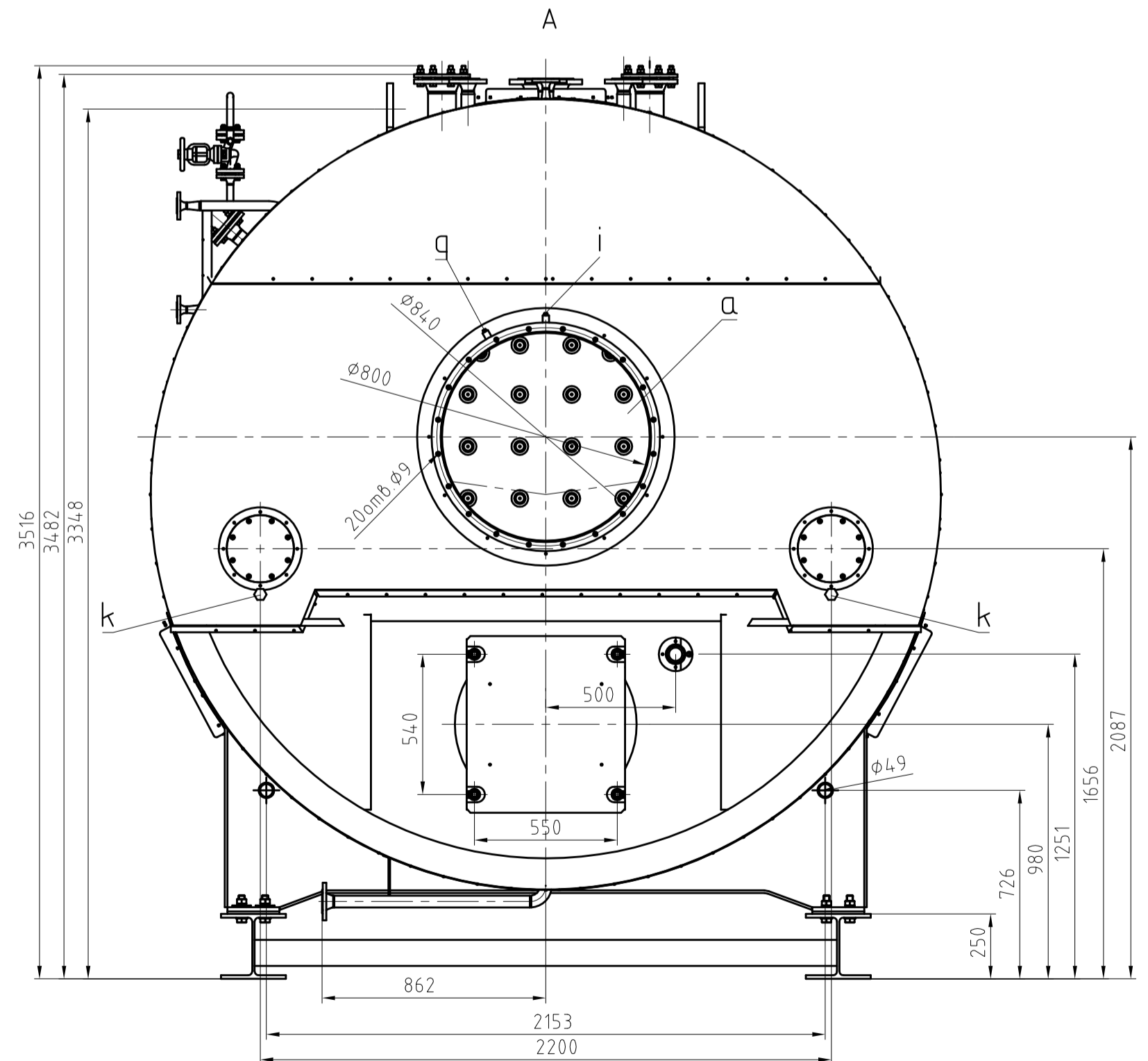
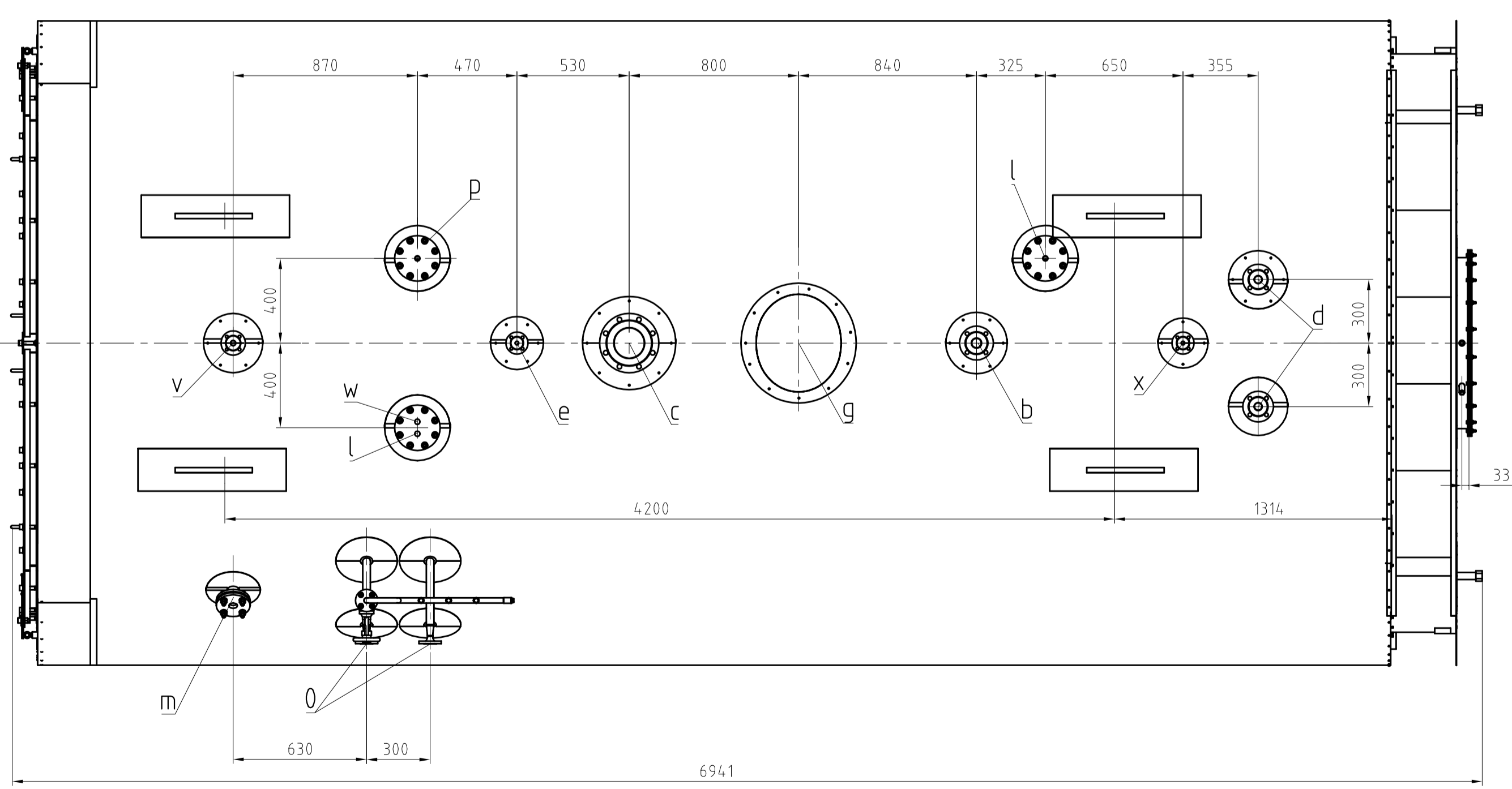
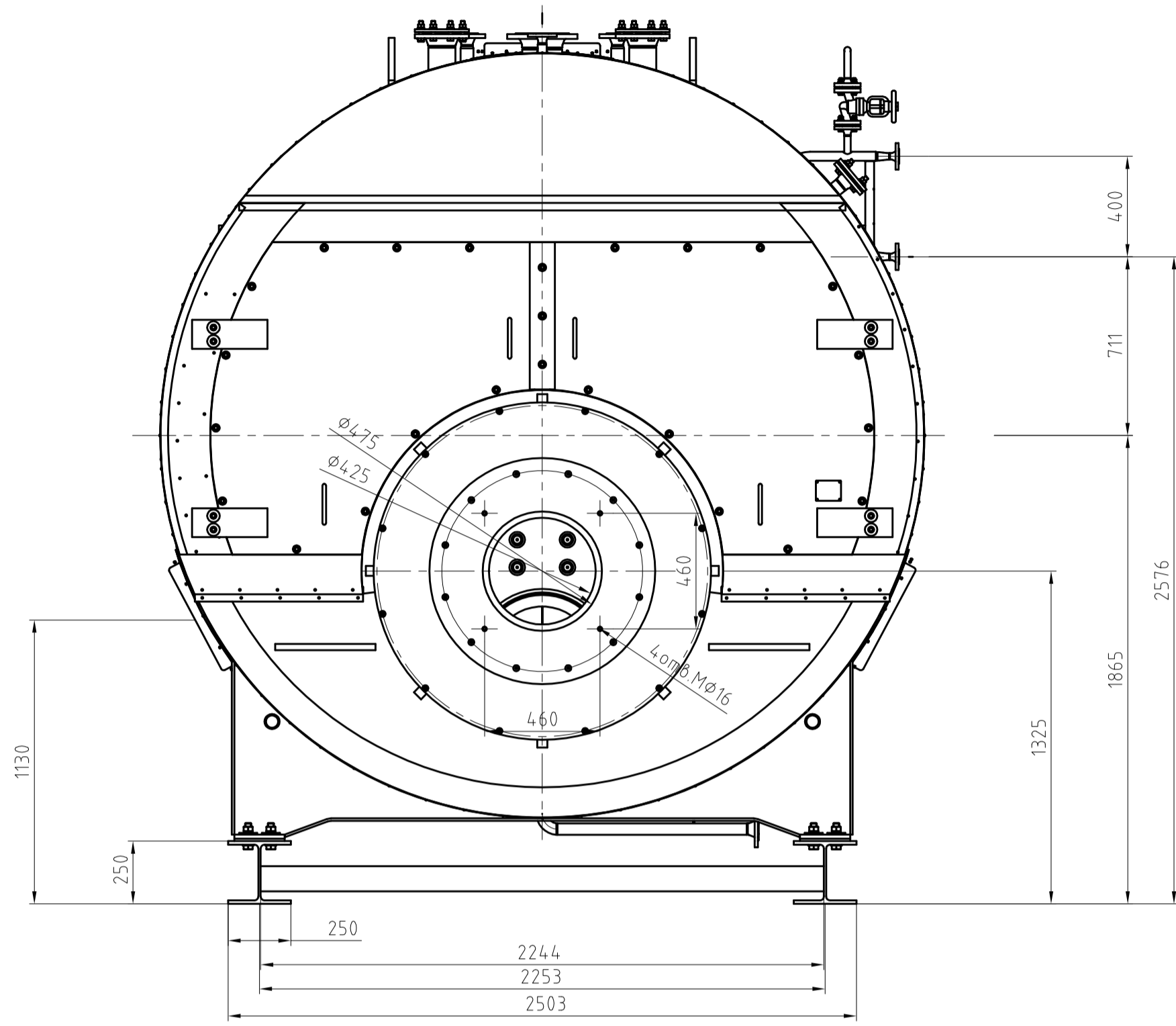
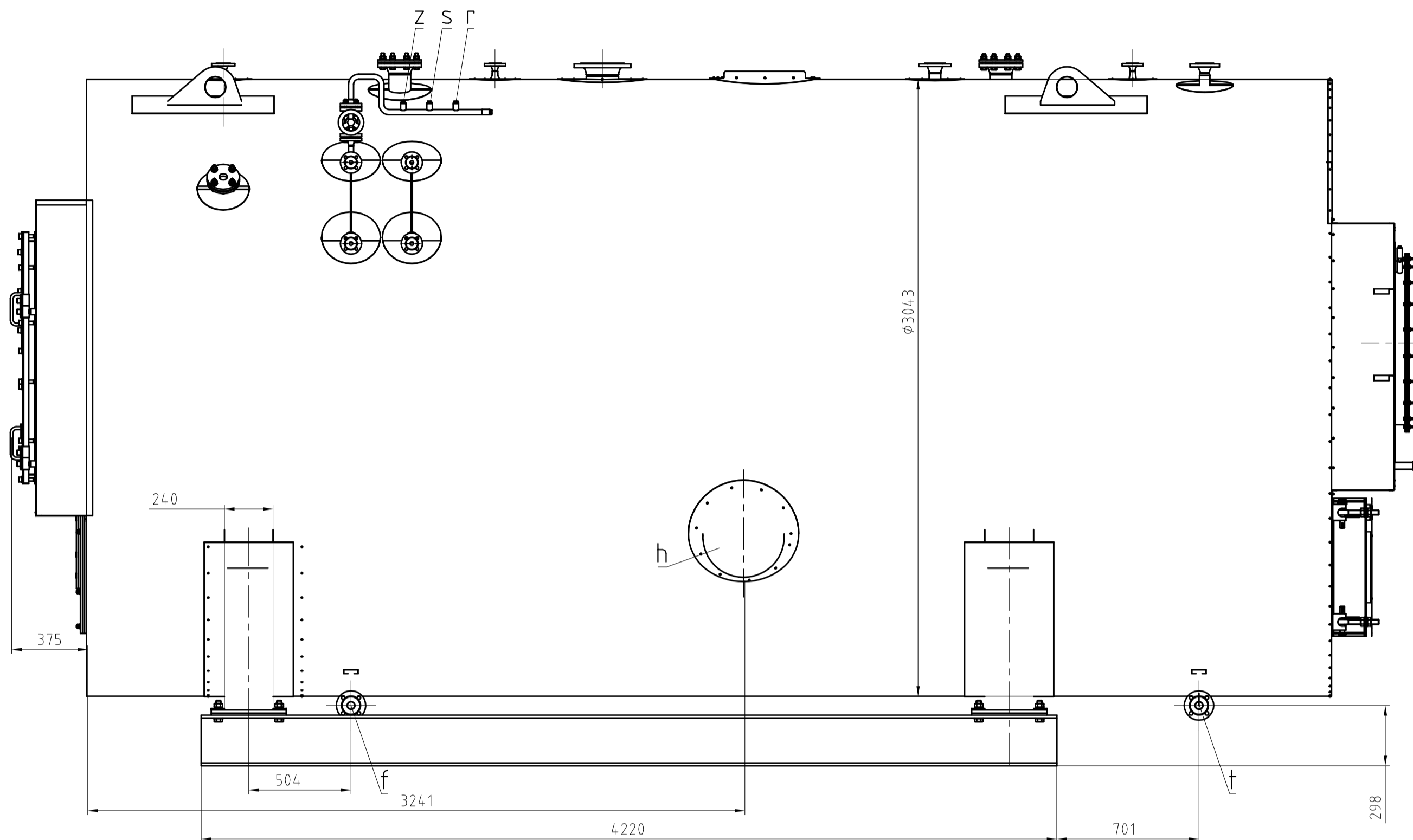
| Boiler model - TT200 | | |
|--------------------------------|--------|-------|
| Boiler type - STEAM / WET BACK | | |
| Design EN 12953 | | |
| Description | Unit | Value |
| Steam capacity (nominal load): | tn / h | 10,0 |
| Steam outlet temperature | °C | +191 |
| Feed water temperature | °C | +104 |
| Design pressure | bar | 12,4 |
| Max. working pressure | bar | 12,0 |
| Hydro test pressure | bar | 20,0 |
| Trip pressure safety valve | bar | 12,0 |
| Boiler weight | kg | 23500 |
| Volume of water | m³ | 18,9 |

Connection table

| Designation | Application | Amount | Diameter (DN), mm | Pressure (PN), bar | Flanges |
|-------------|--------------------------------|--------|-------------------|--------------------|-----------------|
| a | Flue gas exhaust | 1 | 796 | 0,1 | ISO 7005-1:2011 |
| b | Feed water inlet | 1 | 50 | 16 | ISO 7005-1:2011 |
| c | Steam outlet | 1 | 150 | 16 | ISO 7005-1:2011 |
| d | Safety valve | 2 | 40 | 4,0 | ISO 7005-1:2011 |
| e | Desalting control valve | 1 | 20 | 16 | ISO 7005-1:2011 |
| f | Water drain | 1 | 40 | 16 | ISO 7005-1:2011 |
| g | Sight hole | 1 | 320x420 | - | - |
| h | Sight hole | 2 | 220x320 | - | - |
| i | Gas analyzer | 1 | G1/2-B | - | - |
| k | Condensate drain | 2 | G1-B | - | - |
| o | Water level indicator | 4 | 20 | 16 | ISO 7005-1:2011 |
| l | Level limiter min | 2 | G3/4-B | - | - |
| w | Level limiter max | 1 | G3/4-B | - | - |
| p | Level transducer | 1 | G3/4-B | - | - |
| m | Conductivity transducer | 1 | G1-B | - | - |
| q | Flue gas temperature sensor | 1 | G1/2-B | - | - |
| r | Pressure gauge | 1 | G1/2-B | - | - |
| s | Pressure limiter | 1 | G1/2-B | - | - |
| z | Pressure transducer | 1 | G1/2-B | - | - |
| t | Quick shut-off blow down valve | 1 | 40 | 16 | ISO 7005-1:2011 |
| v | Drain air valve | 1 | 25 | 16 | ISO 7005-1:2011 |
| x | Air vent | 1 | 20 | 16 | ISO 7005-1:2011 |

NOTES:

All dimensions are in mm.
 The design of the boiler complies with the General safety requirements PED 2014/68/EU Annex I and the standards of the series EN 12953.



This document is property of ENTROPIE, Munich, Germany. Multiplication or information of its contents to the third parties in any form whatsoever is not allowed without a written authorization by the owner.